



Concrete Equipment
Solutions and Technology

P50

Laboratory Mixer

TECHNICAL SPECIFICATION SHEET:



SUMMARY

The PMSA P50 counter-current laboratory pan mixer is designed specifically for laboratory testing applications. It is also ideal for specialist mixing applications, such as mixing resins, clays and powders. The P50 is **Built to Last**®.

The P50 counter-current laboratory pan mixer has a dry loading capacity of 50 litres and a tilting mixing arm for easy access to the pan. The pan can be easily removed from the turntable giving you the option of preparing several mixes, with multiple pans when required. You can switch pans as the mix is being discharged from the first pan. This is a useful feature when working with pigment, concrete, epoxy and similar mixes.

For a smaller laboratory counter-current pan mixer option, view the P25.

FEATURES AND BENEFITS

- This sturdy laboratory counter current pan mixer is designed for testing applications.
- Suitable for specialised mixing applications (resins, clays, pigments, clays, powders, etc).
- The P50 has a tilting mixing star and spring-loaded wall-scraper for easy access.
- The removable pan allows for mixing with a separate pan while the mix is being discharged from the first pan (if multiple pans are purchased).
- Scalable from test facility to production facility.

OPTIONAL ITEMS:

The P50 can be supplied with a loading trolley for easy pan removal and loading.

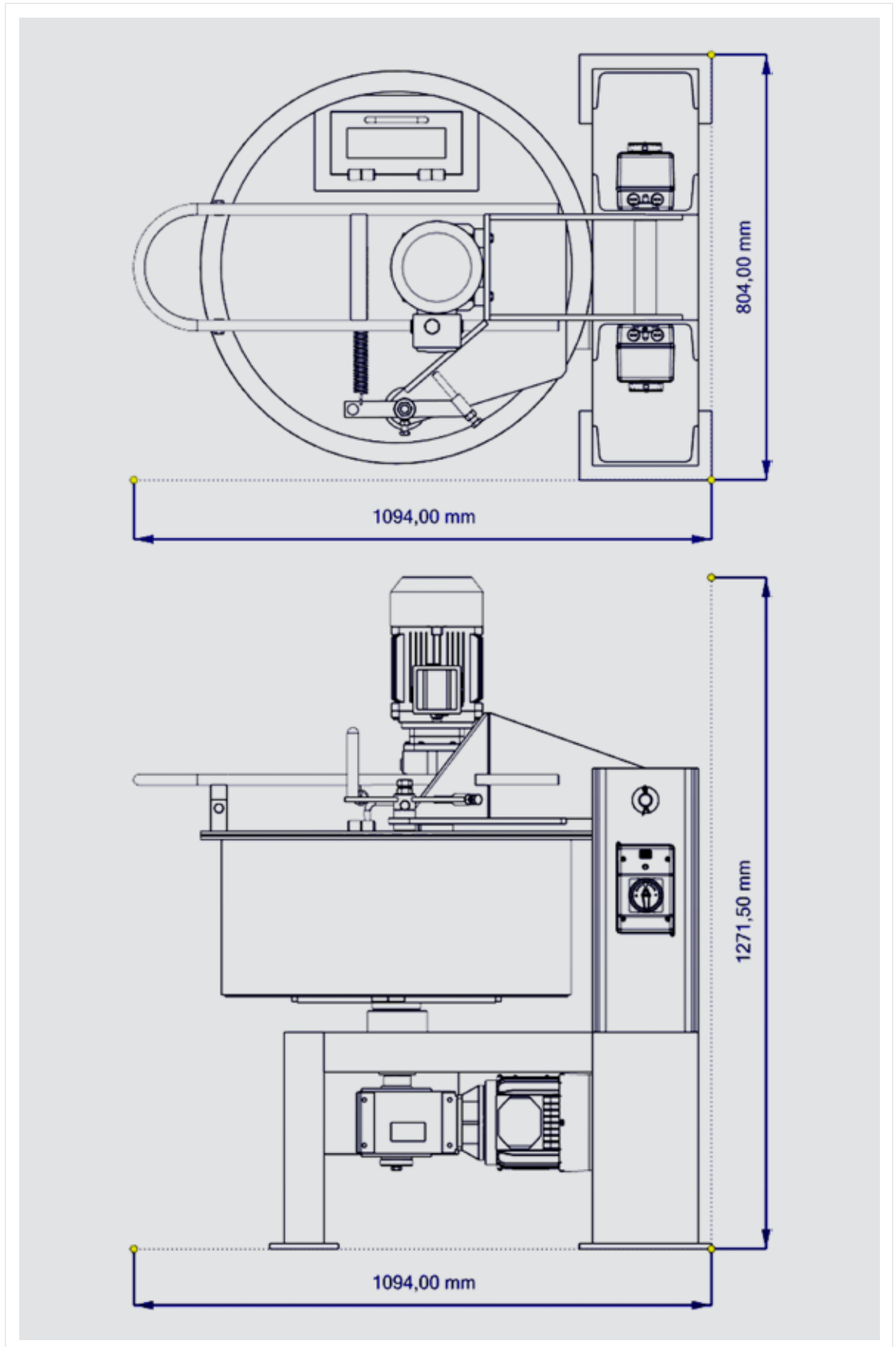
TECHNICAL DATA:

MACHINE SPECIFICATIONS:

P50
CAPACITY
25 - 50 litres
WEIGHT
274 kg
PAN DIAMETER
650 mm
PAN DRIVE
1.1 kW
STAR DRIVE
1.1 kW

DIMENSIONS:

LENGTH
1 210 mm
HEIGHT
1 300 mm
WIDTH
755 mm



Manufactured by PMSA in South Africa. Our professional and experienced technical support team will provide you with the assistance you require. Our comprehensive spare parts facility enables us to provide immediate dispatch globally. E&OE. [Rev_1_2021]

📍 12 Graniet Road, Jet Park, Boksburg, South Africa, 1459 📠 P.O. Box 75090, Garden View, 2047
☎ Tel: +27 (0)11 578 8700 ✉ sales@panmixers.co.za