

# HYDRAULIC UNI



The PMSA Hydraulic Uni Block Making Machine manufactures up to 17 000 standard bricks per 9-hour shift as well as high quality paving and hollow blocks.

It is fitted with double mould lift cylinders and a balancing shaft for hydraulic mould lifting and lowering, hydraulically holding the mould onto the pallet during vibration. The Hydraulic Uni is a user-friendly machine because no effort is required to strip the mould.

The pallet magazine holds up to eight pallets with a hydraulically operated pallet feeder which automatically feeds the pallets from the magazine.

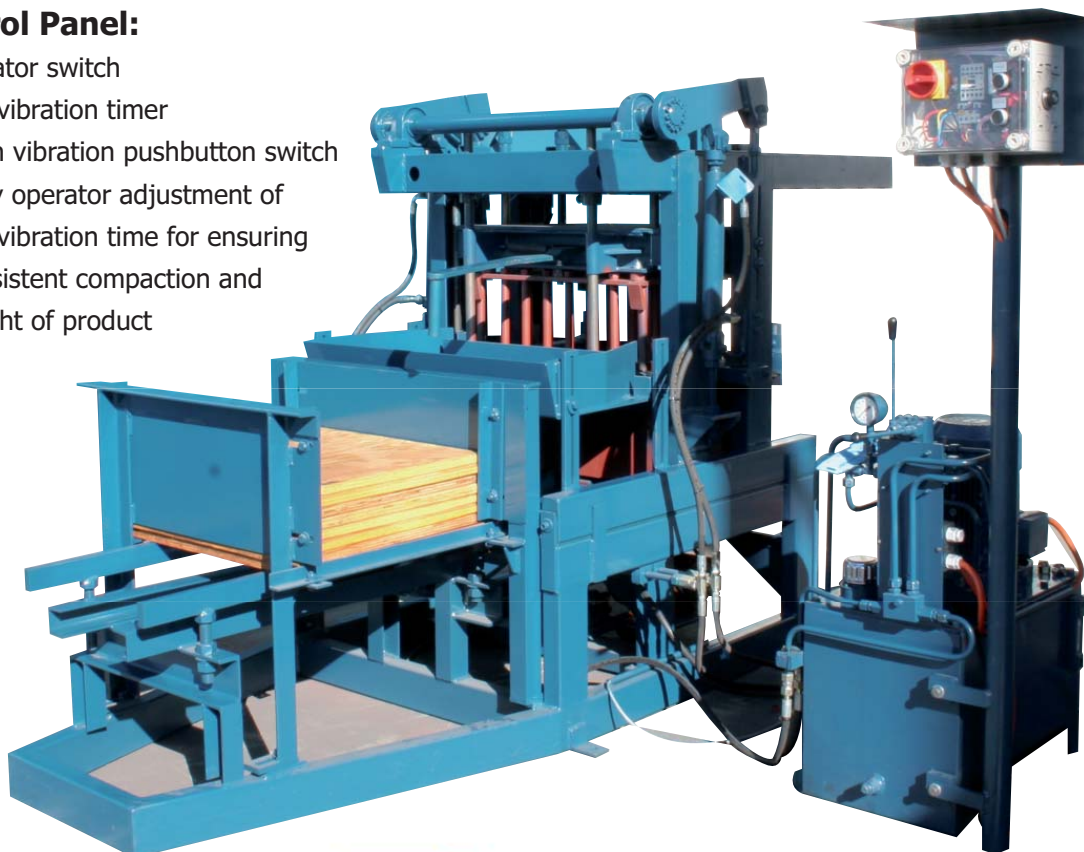
The hydraulic power pack and control panel are mounted separately to avoid damage due to the vibration found on the machine.

## Features:

- Heavy-duty four column design
- Easily replaceable brass / vesconite bushes
- 1,5kW twin shaft vibrator with adjustable weights for powerful vertical directional vibration resulting in high compaction of products
- Vibrating table with replaceable wearing strips on two stabiliser bars for high dimensional accuracy
- Hydraulic pallet feeder magazine
- Adjustable mould pressure
- Tamper brush for the cleaning of tamper shoes
- Three meter roller conveyor for faster product removal

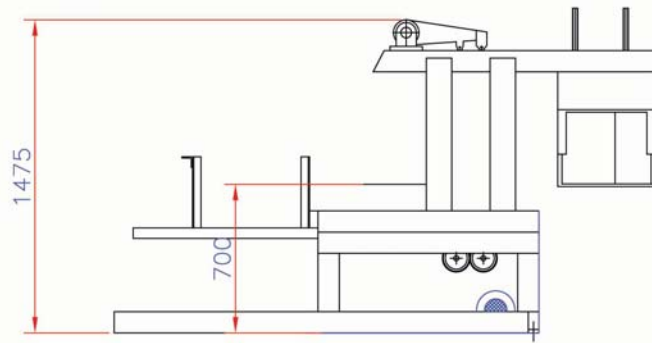
## Control Panel:

- Isolator switch
- Pre-vibration timer
- Main vibration pushbutton switch
- Easy operator adjustment of pre-vibration time for ensuring consistent compaction and height of product

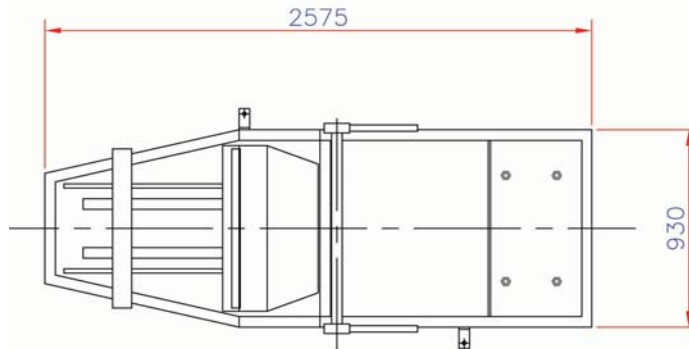


Granite Street, Jet Park  
Boksburg, South Africa  
Tel: 086100-PMSA (086100-7672)  
Tel: +27 (0) 11 397 3754  
Fax: +27 (0) 11 397 4721  
Website: [www.panmixers.co.za](http://www.panmixers.co.za)  
E-mail: [sales@panmixers.co.za](mailto:sales@panmixers.co.za)

**Side View**



**Top View**



<b>Machine Specifications:</b>	<b>Hydraulic Uni</b>
Machine Height	1 475mm
Machine Width	1 000mm
Machine Length:	2 575mm
Machine Weight:	850kg
Pallet Size:	608 x 530 x 21mm
Vibratory Drive Motor:	1,5kW
Hydraulic Power Pack:	2,2kW

<b>Production Schedule:</b>	<b>Approximate production per 9-hour shift: (with skilled workers)</b>
<b>No. of products per pallet</b>	<b>Up to:</b>
220 x 70 x 100 – 106mm (14 bricks)	17 000
200 x 100 x 50 – 60 or 80mm (10 pavers, interlock or bevel edge)	10 000
450 x 228 x 152mm (3 hollow blocks)	3 000
450 x 228 x 114mm (5 hollow blocks)	5 000
390 x 190 x 190mm (3 hollow blocks)	3 000
390 x 190 x 140mm (4 hollow blocks)	4 000
390 x 190 x 90mm (5 hollow blocks)	5 000

NOTE: All equipment is manufactured by PMSA in South Africa. All work carries a 6-month guarantee against faulty material and workmanship. Our professional and experienced technical support team will provide you with the assistance you require; a comprehensive spare parts facility enables immediate dispatch worldwide.