

P1500



The PMSA P1500 litre counter current rapid pan mixer is available in a dust-proof enclosed and stationery design.

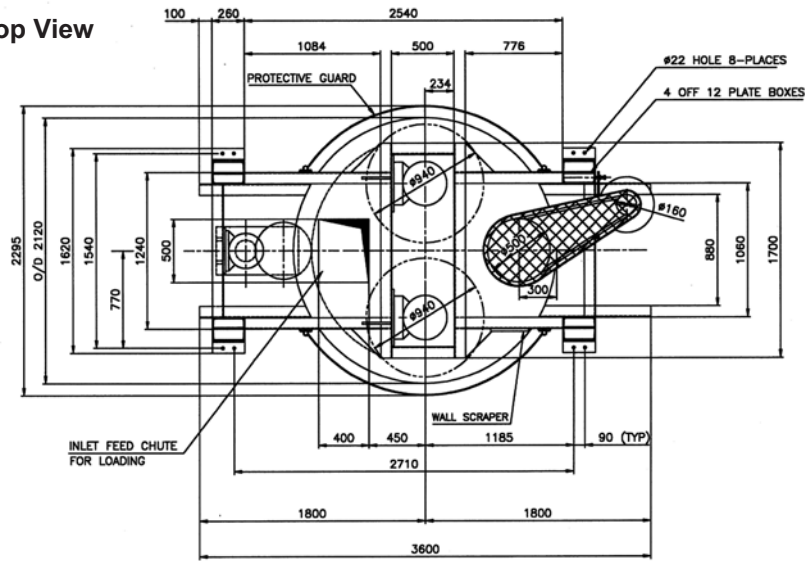
Features:

- Up to 1 500 litres / 2 400kg dry filling capacity
- The pan is carried on a sealed ball bearing turntable, driven in a clockwise direction by an 11kW geared motor unit on a cut gear transmission
- The pan floor and wall are equipped with easily replaced hard wearing lined segments or optional high alumina ceramic tiles
- Two eccentrically mounted four bladed mixing stars driven by two overhead 15kW geared motor units (cross flow mixing system)
- Tungsten carbide mixing arms and tools are optional
- Parts in contact with the mix are easily replaced
- Central floor discharges are operated by an electro-hydraulic power pack, suitable for automatic operation and remote control (500mm in diameter)
- Can be supplied with 1 500 litre bottom discharge loader skip
- 11kW winch unit with flanged-on electro-magnetic brake and rope drum
- Upper and lower limit switches and upper emergency limit switch
- Pushbutton control panels with circuit breakers wired to terminals
- High speed agitator optional
- Mixer mounted microwave moisture sensing equipment for automatic control of the moisture content in the mix
- Supplied complete with batching plant

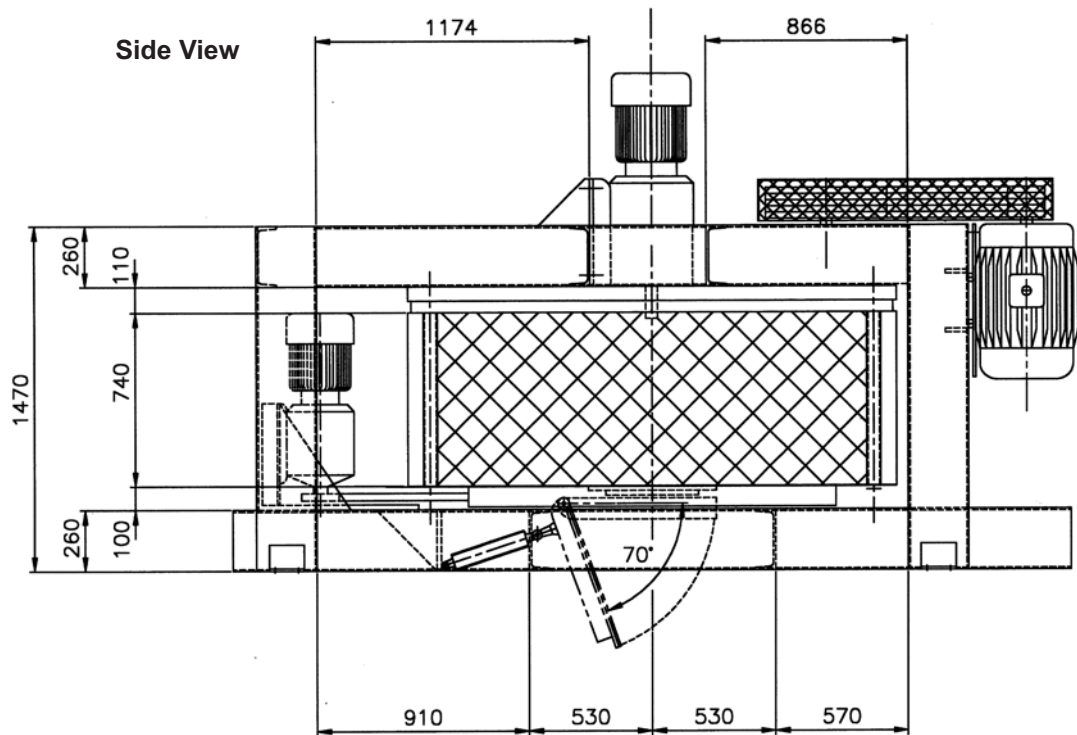


Granite Street, Jet Park
Boksburg, South Africa
Tel: 086100-PMSA (086100-7672)
Tel: +27 (0) 11 397 3754
Fax: +27 (0) 11 397 4721
Website: www.panmixers.co.za
E-mail: sales@panmixers.co.za

Top View



Side View



Machine Specifications:	P1500
Pan diameter:	2 100mm
Pan wall height:	740mm
Dry filling capacity:	1 500 litres
Pan drive:	11kW
Star drive:	2 x 15kW
Agitator drive:	37kW
Weight of mixer with loader:	5 600kg
Hourly output in concrete (at 30 cycles p/hour)	33CBM
Max batch weight:	2 400kg

NOTE: All equipment is manufactured by PMSA in South Africa. All work carries a 6-month guarantee against faulty material and workmanship. Our professional and experienced technical support team will provide you with the assistance you require; a comprehensive spare parts facility enables immediate dispatch worldwide.